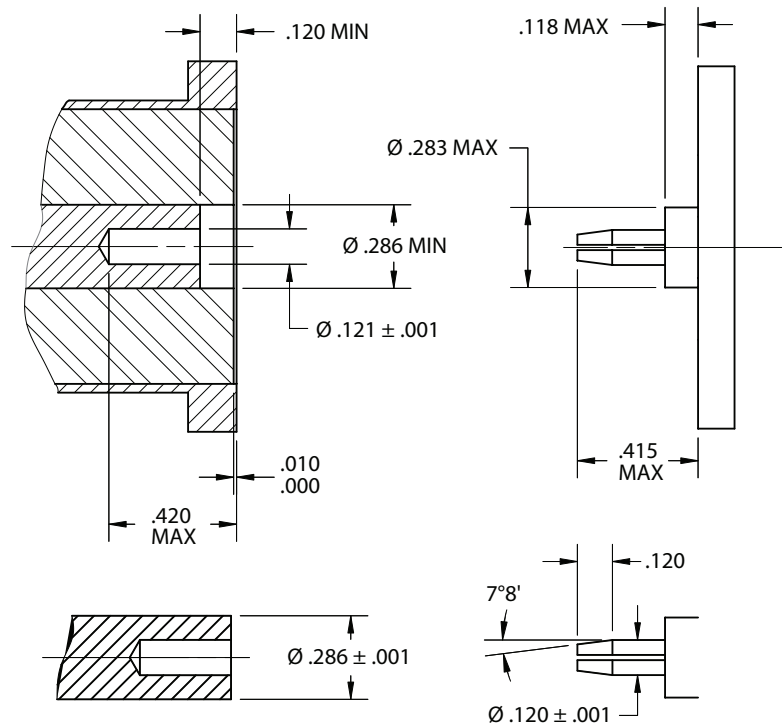




The Power of Creativity™

QC INTERFACE



Ø .120 FLARED TO MEET THE ELECTRICAL AND MECHANICAL PERFORMANCE OF THIS INTERFACE

ELECTRICAL

Nominal Impedance	50 ohms
Frequency Range	DC to 7 GHz
Voltage Rating	2,700 volts rms
Dielectric Withstanding Voltage	4,000 volts rms

MECHANICAL

Mating Characteristics	per TRU Standards
Connector Durability	500 cycles min.
Recommended Torque	N/A (Flange Mounting)

MATERIALS / FINISHES

Body	Brass, Silver or Nickel Plated
Contacts (Inner)	Female: Beryllium Copper, Silver or Gold Plated. Male: Brass, Silver or Gold Plated
Contacts (Outer)	Brass, Silver or Nickel Plated
Contacts (Slotted)	Beryllium Copper, Silver or Nickel Plated
Insulators	Teflon
Gaskets & Seals	N/A

ENVIRONMENTAL

Temperature Range	-85°F to +329°F (-65°C to +165°C)
Vibration	MIL-STD-202
Shock	Configurations Available
Moisture Resistance	
Corrosion (salt spray)	

TRU Corporation

245 Lynnfield Street, Peabody, MA 01960 1-800-COAX-TRU (1-800-262-9878) www.trucorporation.com